



## Snack 464 Digital

*Electrical Supply*

**CODE:** 925903240

### Technical features

Outside dimension:	830 L x 830 P x 570 H mm
Space between trays:	75 mm
Trays:	4T 40X60
Power:	7,2 KW
Weight:	53 Kg
Max temperature:	270 ° C
Power supply:	400 V ~ 3PH + N + PE   230 V ~ 3PH + PE   230 V ~ 1PH + N + PE   50-60 Hz

### Equipment

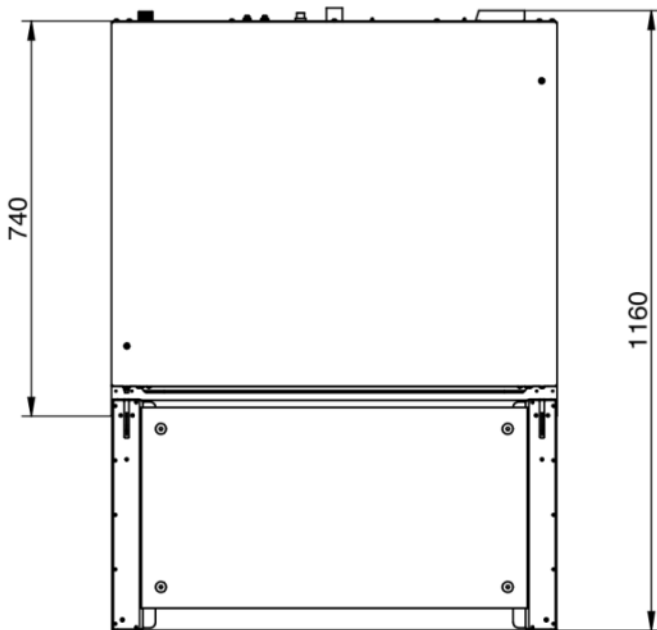
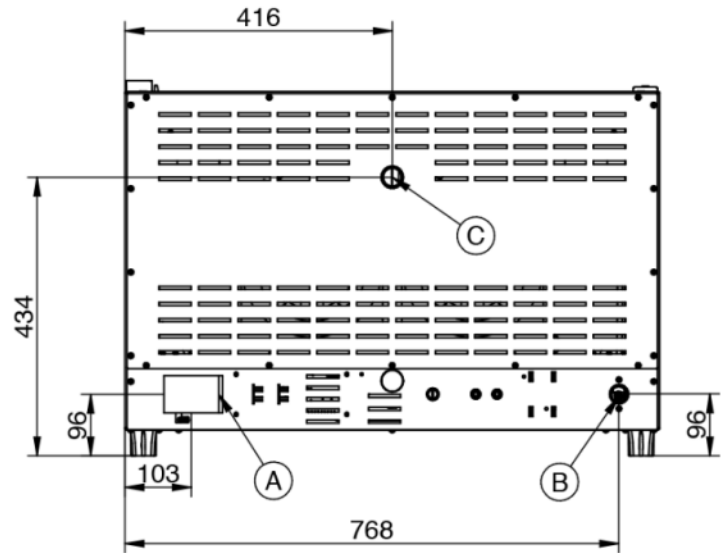
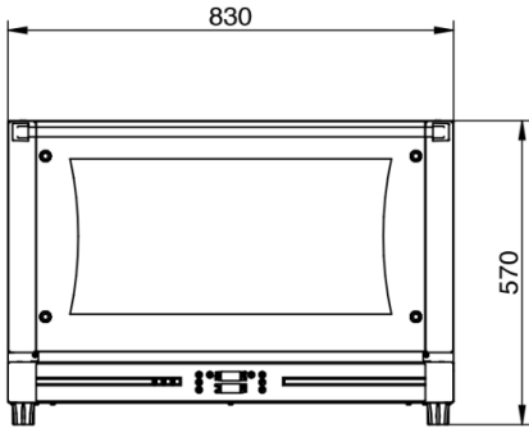
99 programs digital control	Halogen lighting	Pre-heating option
Fan inversion system	Controlled steam injection (%)	3 Phases for cooking

### Accessories

Proofers, Cleaning & purification, Stands & supports, Trays

**Snack 464 Digital**

**Electrical Supply**



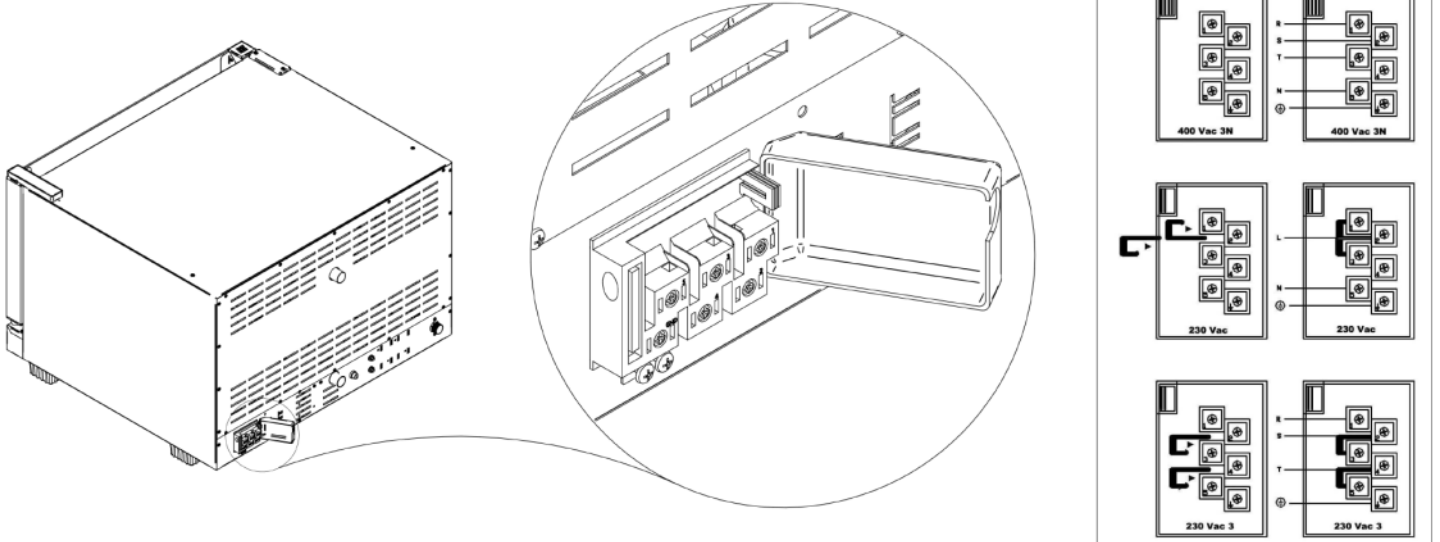
**Legend**

- A - Electric supply
- B - Water inlet 3/4"
- C - Steam exhaust Ø 50mm

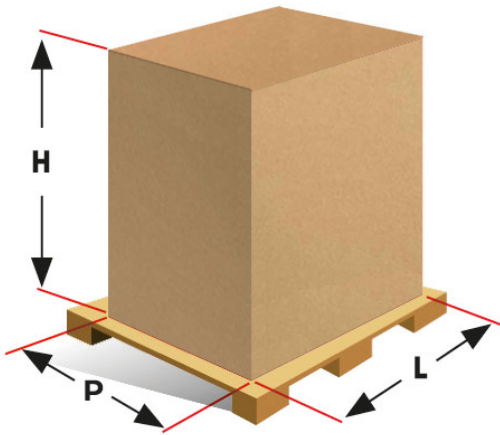
**Snack 464 Digital**

**Electrical Supply**

**Connections**



**Packaging**



Packing size:	<b>900 L x 900 P x 720 H mm</b>
Net weight:	<b>57 Kg</b>
Gross weight:	<b>63 Kg</b>