



## Gourmet 511 Classic

### Electrical Supply

**CODE:** 925904620

#### Technical features

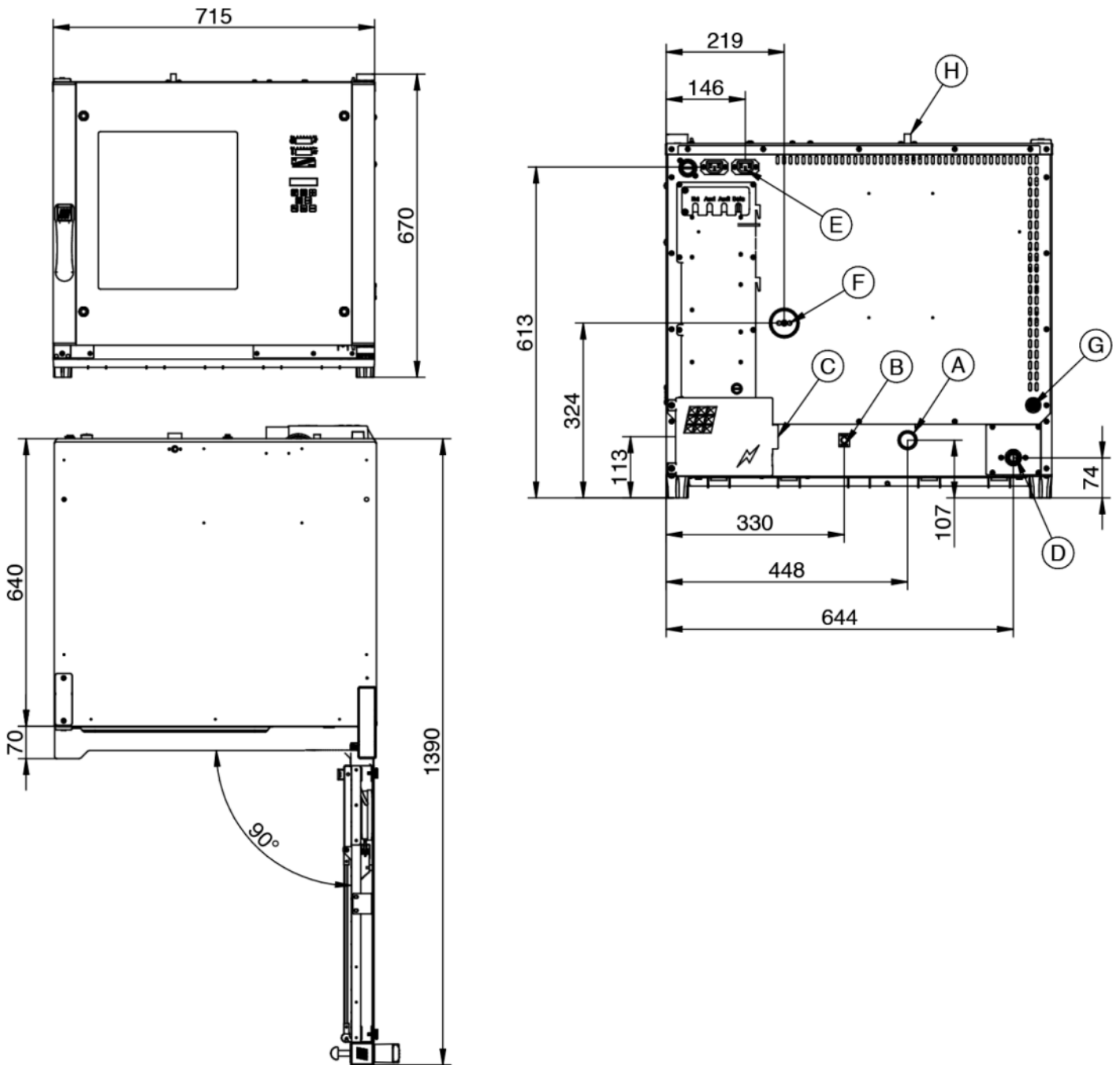
Seats:	20/80
Outside dimension:	715 L x 800 P x 670 H mm
Space between trays:	65 mm
Trays:	5T GN 1/1
Power:	5,5 KW
Weight:	50 Kg
Max temperature:	270 ° C
Power supply:	400 V ~ 3PH + N + PE   400 V ~ 2PH + N + PE   230 V ~ 3PH + PE   230 V ~ 1PH + N + PE   50-60 Hz

#### Equipment

Touch screen	6 Cooking modes	5 Fan speeds
LED lighting	Core probe	HACCP register
Pre-heating option	Controlled steam injection (%)	Inner and online collection of recipes
Cooling system	Fan inversion system	Multi-timer tray cooking end
5 Phases for cooking	Multipoint probe	Glass opening for cleaning
Delayed cooking programming	Error reporting	??

#### Accessories

Cabinets, Blast chillers, Exhaust & draining, Cleaning & purification, Control tools, Stands & supports, Trays

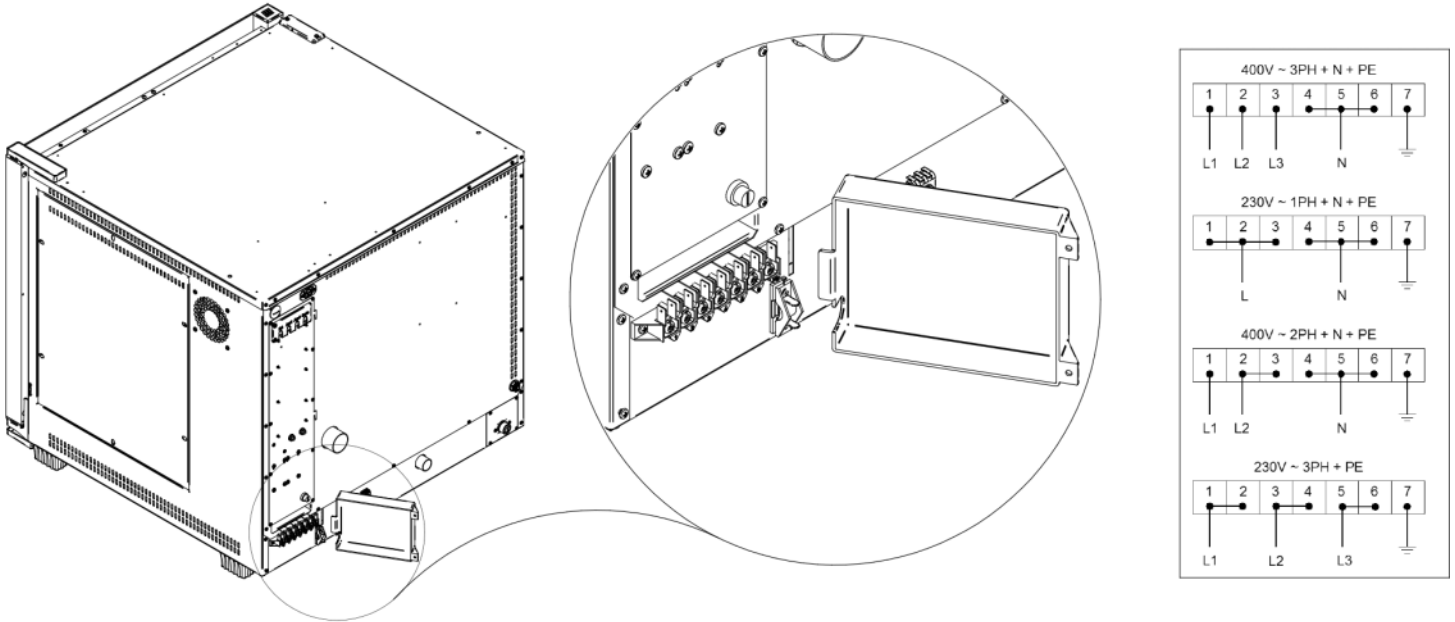
**Gourmet 511 Classic**
**Electrical Supply**

**Legend**

- A - Drain liquid Ø 30mm
- B - Equipotential terminal comb
- C - Electric supply
- D - Water inlet 3/4"
- E - Extracting hood supply
- F - Steam exhaust Ø 50mm
- G - Inlet for washing kit Ø 8mm
- H - Depressurizer Ø 12mm

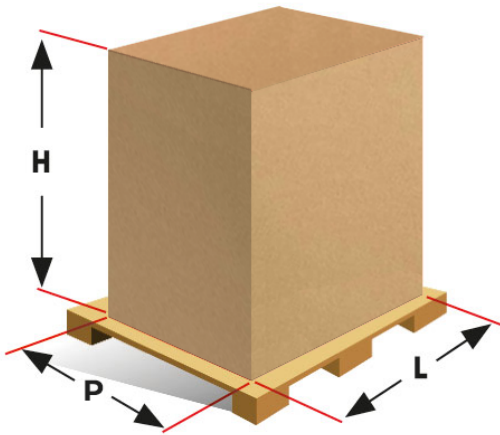
**Gourmet 511 Classic**

**Electrical Supply**

**Connections**



**Packaging**



Packing size:	<b>790 L x 870 P x 830 H mm</b>
Net weight:	<b>64 Kg</b>
Gross weight:	<b>73 Kg</b>